

Tranquil Décor Fountain Installation



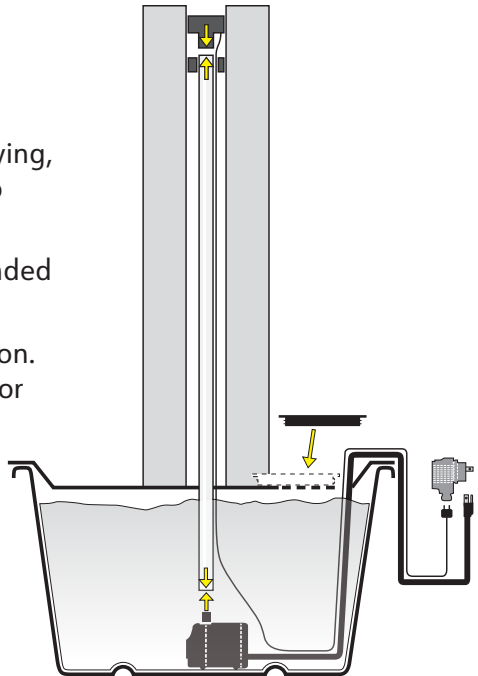
WARNING: Rock columns are very heavy. Be careful when lifting, carrying, moving or placing stone columns to avoid dropping.

More than one person is recommended to install these stones.

NOTE: Basin may vary from illustration. Use these steps as a general guide for assembly.



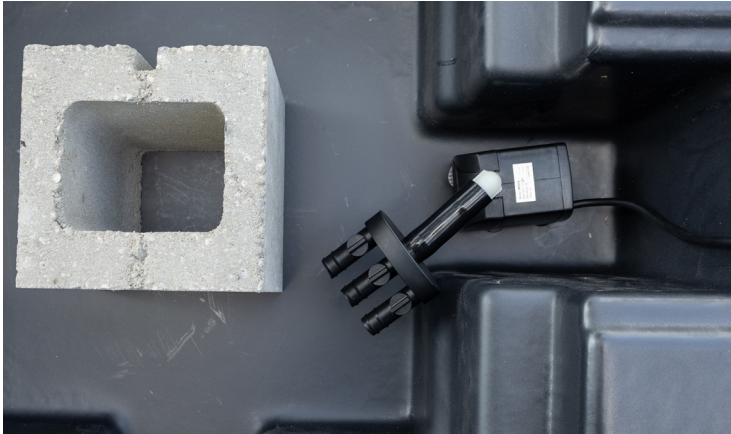
**Watch the video
instructions
here!**



When using PK3L with multiple Tranquil Décor columns, there are two options for use:

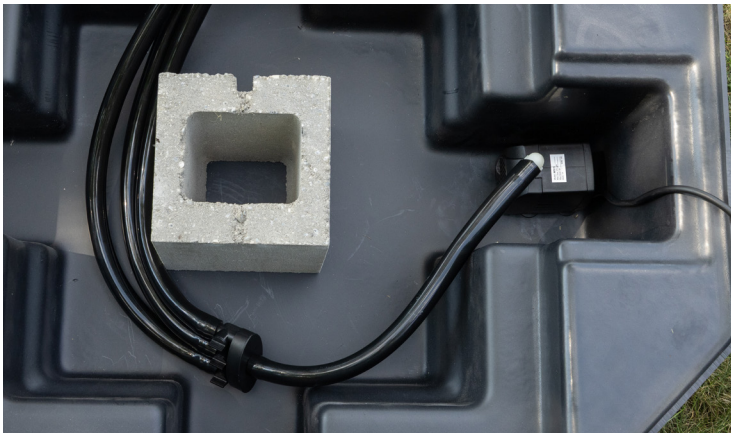
Option 1

Thread supplied elbow ($\frac{3}{4}$ " mpt x $\frac{3}{4}$ " barb) into the pump and connect TWS3 three way splitter with short piece of $\frac{3}{4}$ " tubing in PK3L.



Option 2

Use a longer section of $\frac{3}{4}$ " tubing between the pump and the TWS3 three way splitter. This will allow easier access to the pump and to the valves when in their own pocket on the EasyPro® Eco-Series® Basins.



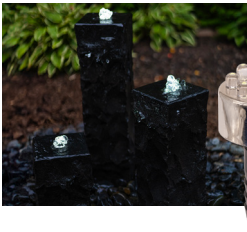
- 1** Determine location of basin in landscape and excavate the hole. Ensure that the base of the hole is level in all directions. Place basin in hole. Ensure that proper support is in the basin to handle weight of the columns.
- 2** Put pump in basin and run cord through hole in basin top.
- 3** Insert tubing into friction ring. If kit includes LED light ring, connect the LED light ring to tubing.
- 4** Run other end of tubing and LED light ring cord down through the hole in the column from the top. Press the friction ring and the LED light ring in the hole. Run the tubing through the basin top to the inside of the basin and connect with pump. Run the LED light ring cord out of the basin with the pump cord.
- 5** Cover the basin with the fine screen mesh. Be sure to cut holes to run the tubing through.
- 6** Carefully place rock column(s) onto basin. If tubing was not able to be connected to pump or manifold in previous step, connect the tubing once the columns are in place. Level the columns using shims.
- 7** Cover the basin with decorative stone. Fill basin with water. Leave access to pump for final flow adjustments to be made.
- 8** Connect the LED light ring with the transformer and plug in the pump. Make final flow adjustments and finishing covering with decorative stone.



Fountain Kit Operation & Maintenance

- 1 Maintain water level to keep pump fully submerged. Add water as needed.
- 2 Algaecide or beneficial bacteria may be added to help keep water clear. Do not use chlorine as it may damage the pump.
- 3 In freezing climates the feature should be shut down and winterized. Remove the pump and splitters from the feature and store in a dry warm place until freezing conditions are over.

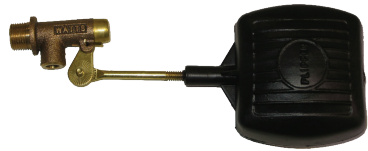
Accessories & Water Treatments



LED Statuary Lights

LED8B & LED8B3

Cool white lights designed for use with most Tranquil Décor Fountains



Water Fill Valve

WFS37

Used to maintain water levels in many different applications



All Season Bacteria

ASB16, ASB32 & ASB128

All season heterotrophic formulation containing beneficial bacteria.



Rock & Waterfall Cleaner

OXYL32 & OXYL128

Quickly and effectively clean rocks & water features. Safe for pets and wildlife

3/26 • 7527