

# Rocking Piston Compressor with Sound Shield™

SRC25SS, SRC252SS, SRC50SS, SRC502SS, SRC34AA, SRC342SS, SRC2002SS

**EASYPRO** Pond Products **Stratus™ SRC Series**



## Installation and Service Manual

for SRC25SS, SRC252SS, SRC50SS, SRC502SS, SRC34AA, SRC342SS, SRC2002SS

Thank you for purchasing the Stratus™ SRC Series Rocking Piston Compressor with Sound Shield™ Technology. This instruction manual explains the product operations and gives important precautions regarding its safe use. Please read and follow these instructions to experience years of trouble free service on these top of the line units.

To avoid accident, do not use the compressor in any way other than as described in this instruction manual especially when you see "WARNING". After reading this instruction manual, keep it nearby as a reference in case questions arise during use.

If this instruction manual should become lost or damaged, they are available on our website [www.easypro.com](http://www.easypro.com).

### PRODUCT USE CRITERIA AND PURPOSE

- Pump only clean, dry air
- Protect unit from dirt and moisture, avoid excessively dusty locations
- Do not pump flammable or explosive gases or use in an atmosphere that contains such gases
- Protect all surrounding items from exhaust air, this exhaust air can become very hot
- Corrosive gases and particulate material will damage unit — water vapor, oil-based contaminants or other liquids must be filtered out
- Product performance changes when using at high altitudes
- This pump is oil-less and requires NO lubrication

### SAFETY

**Your safety and the safety of others is extremely important.** We have provided many important safety messages in this manual and on your compressor. Always read and obey all safety messages.



These are the safety alert symbols. These symbols alert you to hazards that can kill or hurt you and others. The safety alert symbols and the words "Danger" and "Warning" will precede all safety messages. These words mean:



**Danger** - You will be killed or seriously injured if you don't follow instructions.



**Warning** - You can be killed or seriously injured if you don't follow instructions.

All safety messages will identify the hazard, tell you how to reduce the chance of injury and tell you what can happen if the safety instructions are not followed.

**Please read this manual completely before installing and using this compressor.  
Save for future reference and keep in the vicinity of the compressor.**

## INSTALLATION



**WARNING! Electrical Shock Hazard.** Disconnect electrical power at the circuit breaker or fuse box before installing this product. Install this product where it will not come into contact with water or other liquids. Install this product where it will be weather protected. Electrically ground this product. Failure to follow these instructions can result in death, fire or electrical shock.

Correct installation is the responsibility of installer. Make sure of proper installation conditions and that clearances do not block air flow.



**WARNING!** Blocking air flow over the product in any way can cause product to overheat.

## MOUNTING

Compressor may be installed in any orientation. Mounting the product to a stable, rigid operating surface and using shock mounts will reduce noise and vibration.

## PLUMBING

Remove plugs from the IN and OUT ports. Connect with pipe and fittings that are the same size or larger than threaded ports. Be sure to connect the intake and exhaust plumbing to the correct inlet and outlet ports. Ports will not support plumbing.

## ACCESSORIES

The compressor's external intake will provide adequate filtration in most applications. Check filters periodically and replace when necessary. Avoid excessively dusty locations. Install relief valves and gauges at inlet, outlet or both, to monitor performance. Check valves may be required to prevent back flow through pump.

## MOTOR CONTROL

**It is your responsibility to contact a qualified electrician and assure that the electrical installation is adequate and in conformance with all national and local codes/ordinances. The metal capacitor must be grounded.**

The wiring diagram supplied with the compressor provides required electrical information. Check that power source is correct to properly operate the dual-voltage motors.

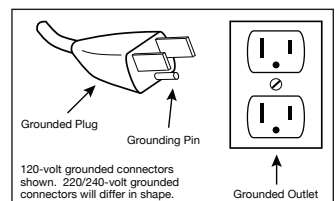
## ELECTRICAL



**WARNING! Electrical Shock Hazard.** This product must be properly grounded. Do not modify the plug provided. If it will not fit the outlet, have the proper outlet installed by a qualified electrician. If repair or replacement of the cord or plug is necessary, do not connect the grounding wire to either flat blade terminal. Check the condition of the power supply wiring. Do not permanently connect this product to wiring that is not in good condition or is inadequate for the requirements of this product. Failure to follow these instructions can result in death, fire or electrical shock.

**Model with a power supply cord:** This product must be grounded. For either 120 volt or 220/240 volt circuits, connect power supply cord grounding plug to a matching grounded outlet. Do not use adapter. See diagram at right.

In the event of an electrical short circuit, grounding reduces the risk of electric shock by providing an escape wire for the electric current. This compressor may be equipped with a power supply cord having a grounding wire with an



---

appropriate grounding plug. The plug must be plugged into an outlet that is properly installed and grounded in accordance with all local codes and ordinances.

**Check with a qualified electrician or serviceman if the grounding instructions are not completely understood, or if you are not sure whether the product is properly grounded. Do not modify the plug provided. If it will not fit the outlet, have the proper outlet installed by a qualified electrician.**

**Model that is permanently wired:** This compressor must be connected to a grounded, metallic, permanent wiring system, or an equipment grounding terminal or lead on the compressor.

Power supply wiring must conform to all required safety codes and be installed by a qualified person. Check that all supply voltage agrees with that listed on compressor name plate.


**Extension Cords:** Use only a 3-wire extension cord that has a 3-blade grounding plug. Connect extension cord plug to a matching 3-slot receptacle. Do not use an adapter. Make sure your extension cord is in good condition. Check that the gauge wire of the extension cord is the correct size wire to carry the current this compressor will draw.

Do not exceed 100' with minimum 12 gauge wire (only up to 10 amps) for extension cords.

An undersized cord is a potential fire hazard and will cause a drop in line voltage resulting in loss of power, causing compressor to overheat. If in doubt, use the next heavier gauge cord. The smaller the gauge number, the heavier the wire gauge.

---

## OPERATION



 **WARNING! Injury Hazard.** Install proper safety guards as needed. Keep fingers and objects away from openings and rotating parts. When provided, motor terminal covers must be in place for safe operation. Product surfaces become very hot during operation, allow surfaces to cool before handling. Air stream from product may contain solid or liquid material that can result in eye or skin damage, wear proper eye protection. Wear hearing protection. Failure to follow these instructions can result in burns, eye injury, or other serious injury.


It is your responsibility to operate this compressor at recommended pressures or vacuum duties and room ambient temperatures.

**START UP:** If motor fails to start or slows down significantly under load, shut off and disconnect from power supply. Check that the supply voltage is correct and verify motor is turning in the proper direction. Check plug, cord and switch for damage. If the thermal protection switch has tripped, the motor can restart after cooling.

---

## MAINTENANCE

  **WARNING! Electrical Shock Hazard.** Disconnect electrical power supply before performing maintenance. Failure to follow these instructions can result in death, fire, or electrical shock.

 **WARNING! Injury Hazard.** Product surfaces become very hot during operation, allow surfaces to cool before handling. Air stream from product may contain solid or liquid material that can result in eye or skin damage, wear proper eye protection. Wear hearing protection. Failure to follow these instructions can result in burns, eye injury, or other serious injury.

It is your responsibility to:

- Regularly inspect and make necessary repairs to compressor in order to maintain proper operation

- 
- Make sure that pressure is released from compressor before starting maintenance

Check intake and exhaust filters after first 500 hours of operation. Clean filters and determine how frequently filters should be checked during future operation. This one procedure will help to assure the product's performance and service life.

- 1 Disconnect electrical power supply to unit
- 2 Vent all air lines
- 3 Remove filter cover
- 4 Check filter felt. Replace felt if it is covered with contamination or shows signs of increasing differential pressure
- 5 Reinstall felt and filter cover

Check that all external accessories such as relief valves and gauges are attached to cover and are not damaged before re-operating product.

---

## **SHUTDOWN PROCEDURES**

It is your responsibility to follow proper shutdown procedures to prevent compressor damage.

**Never add oil to this oil-less compressor.**

Proper shutdown procedures must be followed to prevent pump damage. Failure to do so may result in premature pump failure. Compressors are constructed of ferrous metals or aluminum which are subject to rust and corrosion when pumping considerable vapors such as water.

Follow the steps below to assure correct storage and shutdown between operating periods.

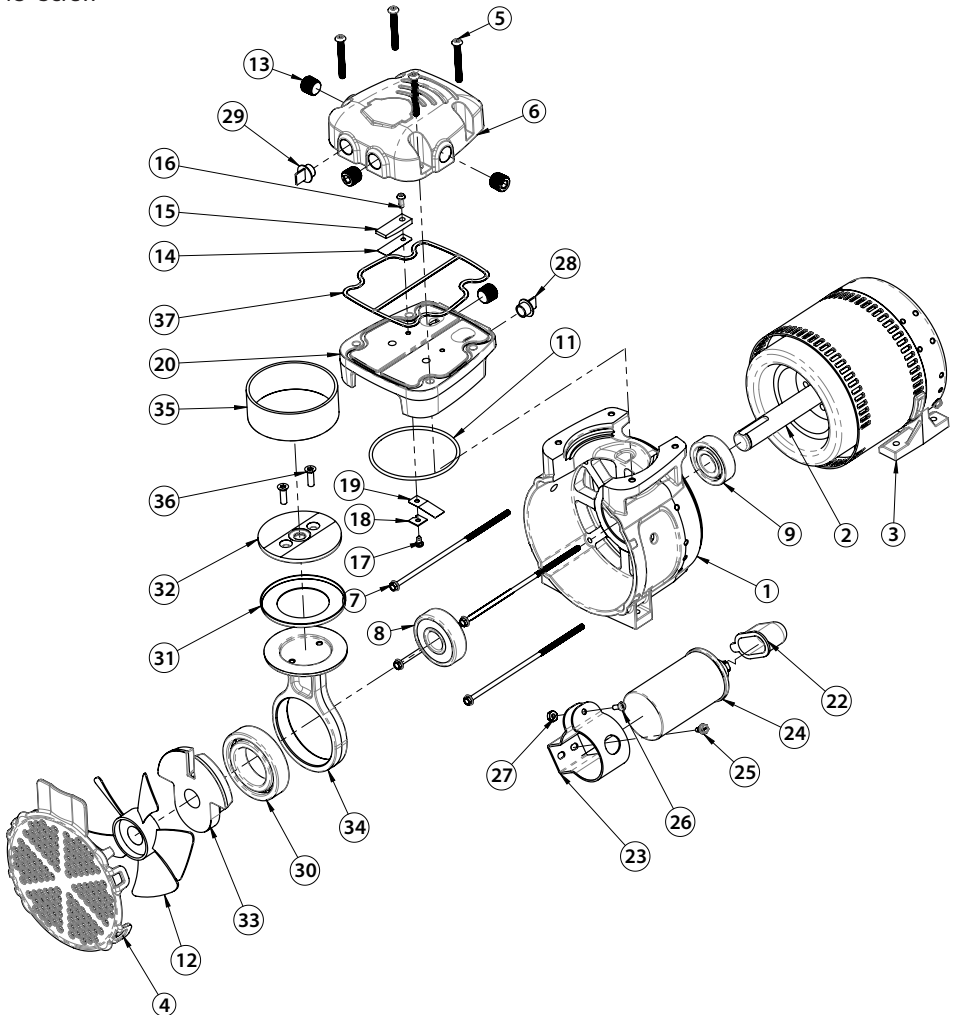
- 1 Disconnect plumbing
- 2 Run compressor for 10 to 15 minutes
- 3 Disconnect power supply
- 4 Plug open ports to prevent dirt or other contaminants from entering compressor

# EXPLODED VIEWS & PARTS

SRC25SS & SRC252SS

## # Description

- 1 Body\*\*\*
- 2 Motor\*\*\*
- 3 End Belt\*\*\*
- 4 Fan Cover\*\*\*
- 5 Head Screws
- 6 Head
- 7 Head O-ring†
- 8 Motor Bolt\*\*\*
- 9 Bearing\*\*\*
- 10 Bearing\*\*\*
- 11 End Belt Cap
- 12 Cylinder O-ring†
- 13 Screw

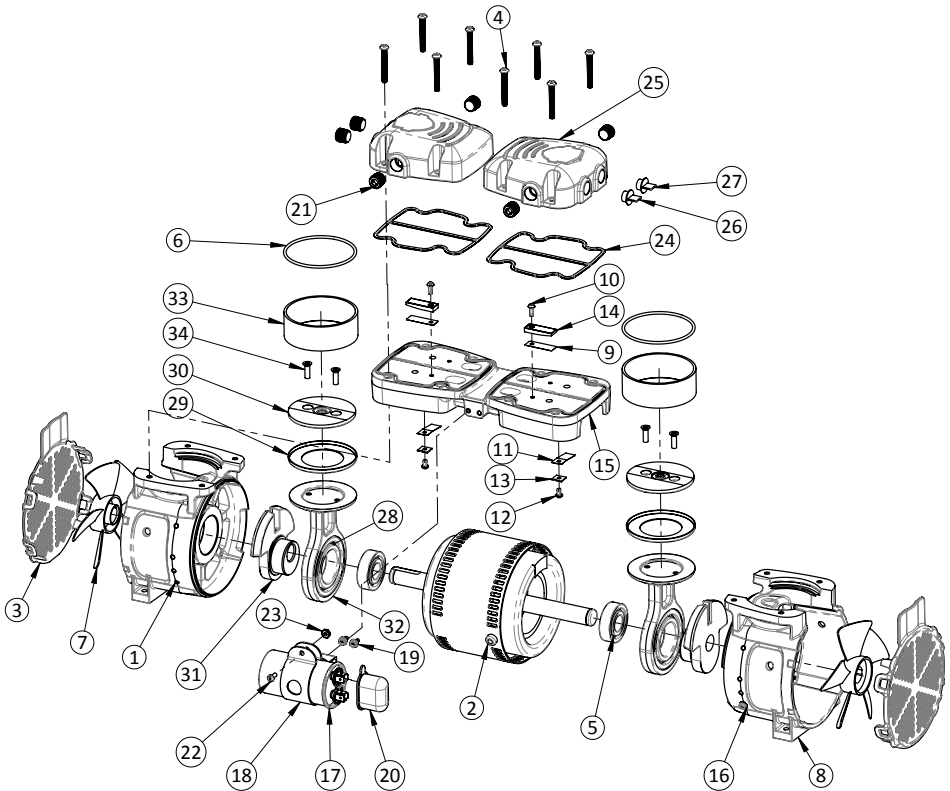


# EXPLODED VIEWS & PARTS

SRC50SS & SRC502SS

## # Description

- 1 Body\*\*\*
- 2 Fan Cover
- 3 Head Screws
- 4 Head
- 5 Head O-ring†
- 6 Motor Bolts\*\*\*
- 7 Bearing\*\*\*
- 8 Cylinder O-ring†
- 9 Set Screw
- 10 Fan
- 11 Pipe Plug
- 13 Valve Plate††
- 14 Leaf Valve††
- 15 Valve Limiter††
- 16 Valve Screw††



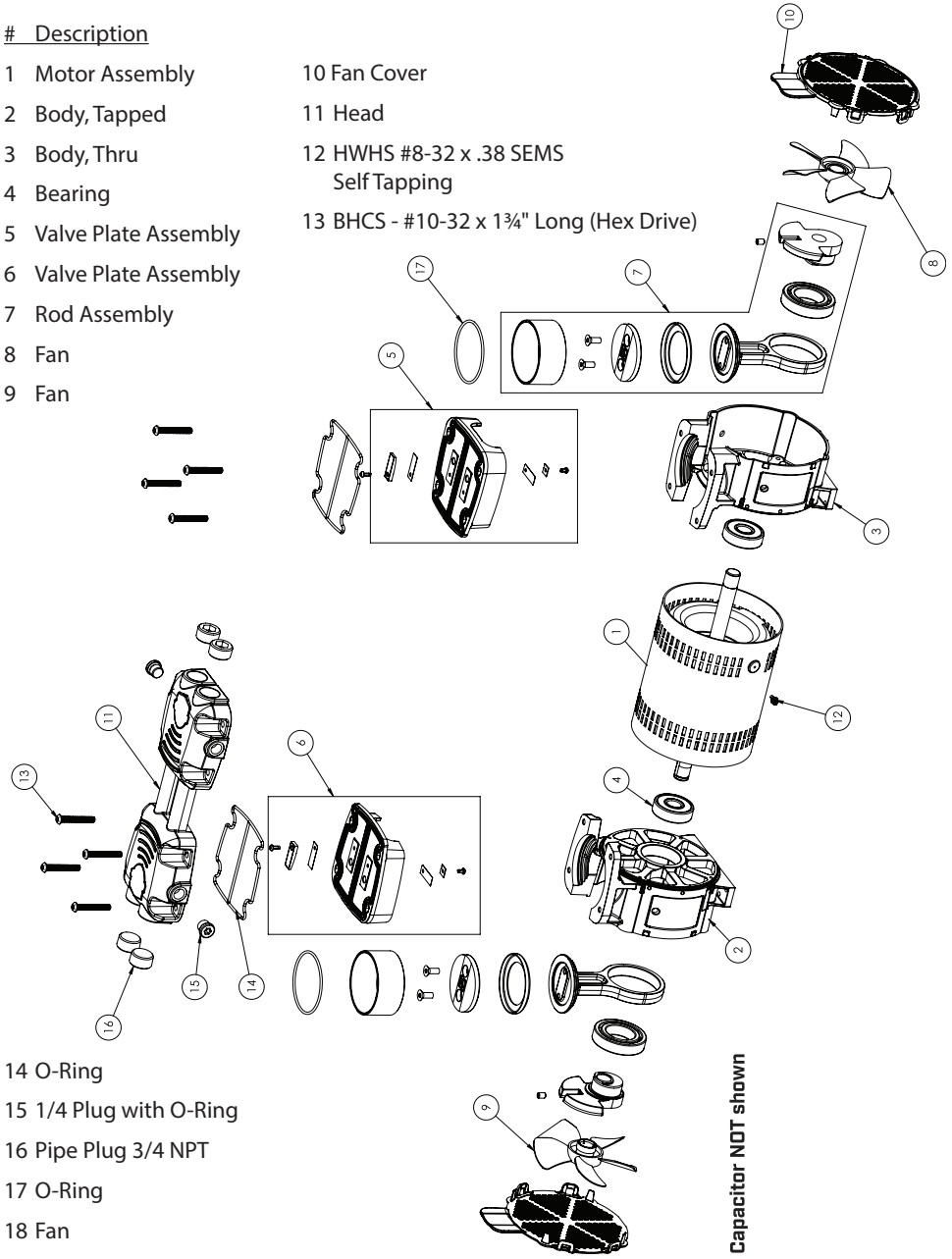
# EXPLODED VIEWS & PARTS

SRC345S & SRC3425S

## # Description

- |                  |  |
|------------------|--|
| 1 Motor Assembly | 10 Fan Cover                               |
| 2 Body, Tapped   | 11 Head                                    |
| 3 Body, Thru     | 12 HWHS #8-32 x .38 SEMS<br>Self Tapping   |
| 4 Bearing        | 13 BHCS - #10-32 x 1 3/4" Long (Hex Drive) |

- |                        |
|------------------------|
| 5 Valve Plate Assembly |
| 6 Valve Plate Assembly |
| 7 Rod Assembly         |
| 8 Fan                  |
| 9 Fan                  |



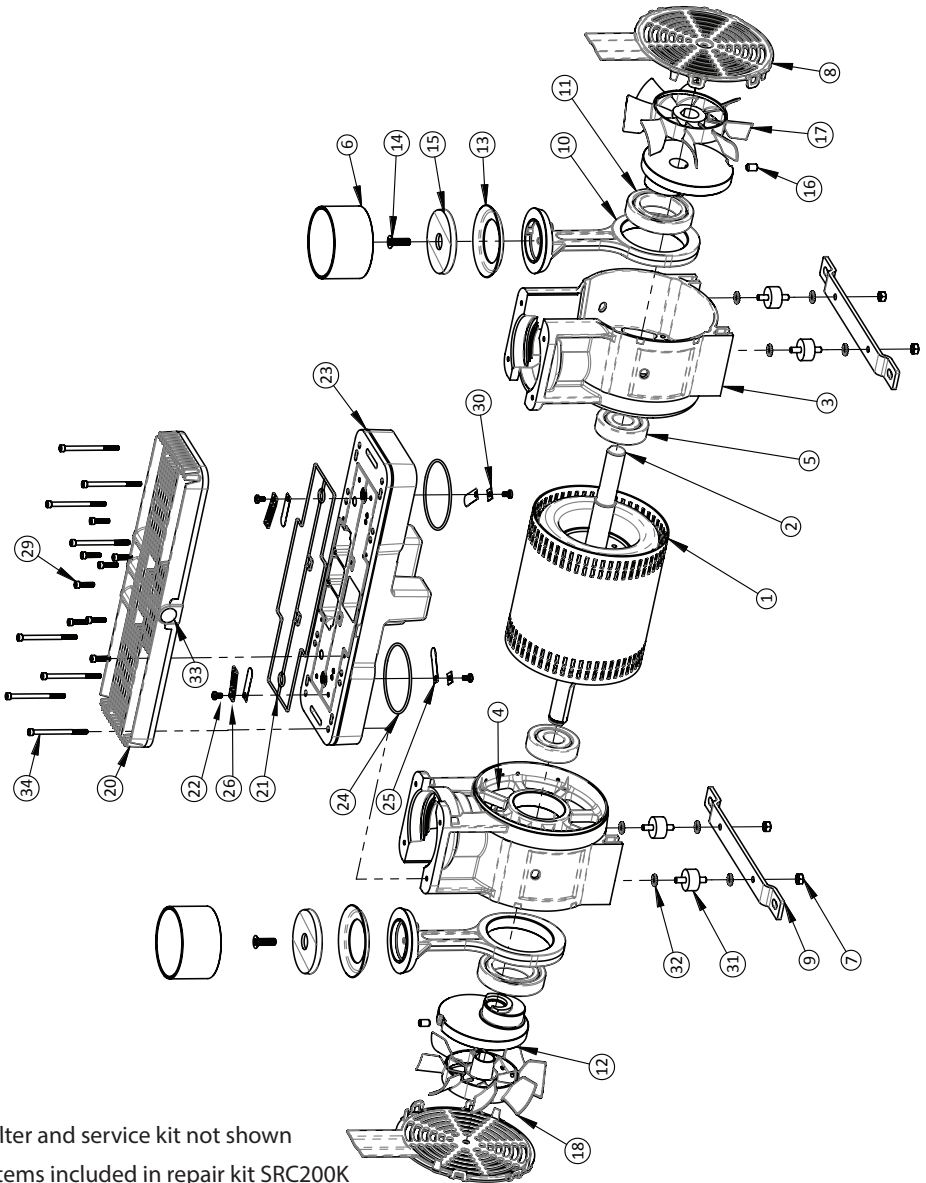
- |                         |
|-------------------------|
| 14 O-Ring               |
| 15 1/4 Plug with O-Ring |
| 16 Pipe Plug 3/4 NPT    |
| 17 O-Ring               |
| 18 Fan                  |

Filter and service kit not shown

Capacitor NOT shown

# EXPLODED VIEWS & PARTS

SRC2002SS



Filter and service kit not shown

†Items included in repair kit SRC200K

## REBUILD/REPAIR KITS AND PARTS

### SRC25SS, SRC252SS - ¼ hp Stratus™ Compressors with Sound Shield™

SRC25K - Rebuild/Repair Kit

SRC25VP - Valve Plate with Leaf Valves Installed

SRCCAP - SRC Start/Run Capacitor



Scan code to view  
SRC25 / SRC50  
Repair Kit  
Instructions

### SRC50SS, SRC502SS - ½ hp Stratus™ Compressors with Sound Shield™

SRC50K - Rebuild/Repair Kit

SRC50VP - Valve Plate with Leaf Valves Installed

SRCCAP - SRC Start/Run Capacitor

### SRC34SS, SRC342SS - ¾ hp Stratus™ Compressors with Sound Shield™

SRC34K - Rebuild/Repair Kit

### SRC2002SS - 2 hp Stratus™ Compressors with Sound Shield™

SRC200K - Rebuild/Repair Kit

### Universal Replacement Parts for All Stratus™ Compressors

GAF2E - Complete Air Filter w/ ¼" mpt

GAFE - Replacement Element for Air Filter

SRCF - Standard Foot

SRC5M - SRC Shock Mount Foot

## TROUBLESHOOTING - ALL UNITS

Low Pressure	High Pressure	Excess Noise	Over Heating	Won't Start	Possible cause and solution
X			X	X	Filter dirty - Clean or replace
X	X		X	X	Dirty muffler - Clean or replace
X					Dirty valves - Clean or replace
X					Bent/damaged valves - Replace
X		X			Damaged/worn cup - Replace
X		X			Leaky hose - Fix or replace
X				X	Leaky check valve - Fix or replace
	X		X	X	Plugged vacuum or pressure line - Fix or replace
			X	X	Low voltage - Inspect power supply*
X					Leaky relief valves - Fix or replace
			X	X	Motor not wired correctly. Check wiring diagram and line voltage*

\* To troubleshoot low voltage, unit can be tried in an outlet closer to the breaker panel. Voltage drop in longer electrical runs can cause low voltage.

---

**Please keep a copy for your records**

**Model #** \_\_\_\_\_

**Serial #** \_\_\_\_\_

10 digit number by barcode  
on compressor unit

**MAINTENANCE NOTES**

## EasyPro Pond Products Limited Warranty

EasyPro Pond Products ("EasyPro") warrants to the purchaser that this product ("Product") will be free from any mechanical or material defects for a period of **two years** from the date of purchase. This limited warranty does not cover rebuild kit parts: piston cup(s), piston ring(s), leaf valves, head gaskets or o-ring gaskets. These are wear items that require replacing every 12 months - 24 months depending on operating conditions. This warranty only covers properly installed and maintained Products sold by authorized EasyPro Sellers who are subject to and follow EasyPro's quality control standards. Please note that because EasyPro is unable to control the quality of Products sold by unauthorized sellers, unless otherwise prohibited by law, this warranty does not cover Products purchased from unauthorized sellers.

This warranty does not cover normal wear and tear, nor any deterioration suffered through overloading, improper use, negligence, improper installation, acts of God or accident. Similarly, any modification made by the purchaser to the Product will cause the warranty to be null and void. This warranty does not cover any cost associated with the installation or removal of the Product subject to a warranty claim.

All returned items will be inspected to determine cause of failure before a warranty claim is approved. The exclusive remedies provided hereunder shall, upon EasyPro's inspection and option, be either repair or replacement of the Product or parts covered under this warranty.

**Making a Claim:** A Return Authorization ("RA") number must first be obtained by calling EasyPro at 800-448-3873 or via email at [warranty@easypro.com](mailto:warranty@easypro.com). It is the purchaser's responsibility to pay the return shipping charges. Be sure to include the RA number, original receipt (in the form of an invoice or sales receipt), your name, your return address and your phone number inside of the package. No warranty claims will be honored without the original receipt that shows that your purchase was made from an Authorized EasyPro Seller. Ensure the product is properly packaged and insured for the replacement value. Damage due to improper packaging is the responsibility of the sender.

ALL OTHER EXPRESS OR IMPLIED WARRANTIES INCLUDING MERCHANTABILITY OF FITNESS FOR A PARTICULAR PURPOSE ARE HEREBY LIMITED IN DURATION TO THE DURATION OF THE WARRANTY AS DESCRIBED ABOVE. Some States do not allow limitations on how long an implied warranty lasts, so the above limitations may not apply to you.

EasyPro shall not be held liable for any damages caused by defective components or materials of this Product; or for loss incurred because of the interruption of service; or any consequential/incidental damages and expenses arising from the production, sale, use or misuse of this Product. Some States do not allow the exclusion or limitation of incidental or consequential damages, so the above limitation or exclusion may not apply to you.

EasyPro shall not be held liable for any loss of fish, plants or any other livestock as a result of any failure or defect of this Product. This warranty gives you specific legal rights, and you may also have other rights that vary from State to State.



800-448-3873 • Grant, Michigan

[www.easypro.com](http://www.easypro.com)



## Create a Balanced Eco-System with EasyPro® Water Treatments

EasyPro's line of water treatments is designed to make the care of your pond or lake easy, effective and enjoyable. By eliminating the guess work and using simple dosages, EasyPro® Water Treatments will keep your water looking its best and provide a great home for fish and plants. Proudly made in the USA and eco-friendly! Check out the full line at [www.easypro.com](http://www.easypro.com).

**EASYPRO**  
Pond Products

800-448-3873 • Grant, Michigan  
[www.easypro.com](http://www.easypro.com)